

- 8' - 2 X 3 CURVED: LP92206
 LP92206-A
 LP92206-B
 LP92206-C
 LP92206-D
 6' - 2 X 2 CURVED: LP92204
 LP92204-A
 LP92204-B
 LP92204-C
 LP92204-D

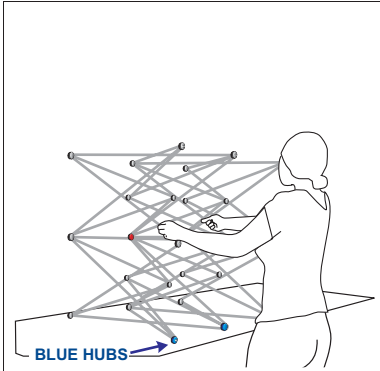
- | QTY | STANDARD PARTS |
|-----|----------------|
| — | pop-up frame |
| — | channel bars |
| — | fabric panels |
| — | endcap panels |
| — | light |
| — | fabric wrap |
| — | sintra top |

- | QTY | OPTIONAL PARTS |
|-----|----------------------|
| — | shelves |
| — | slotted channel bars |
| — | shelf bracket |
| — | laminated top |

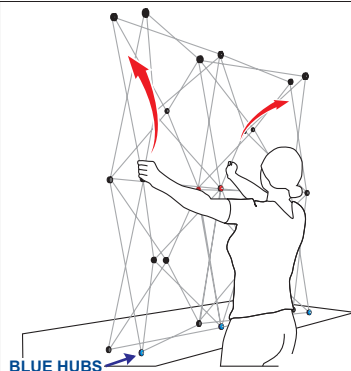
* verify all parts are present according to parts list before assembling.

* hint: keep graphics rolled when removing from case.

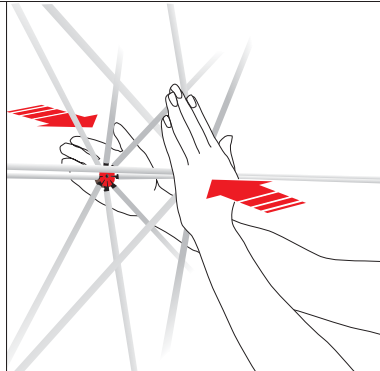
INSPECTED BY:



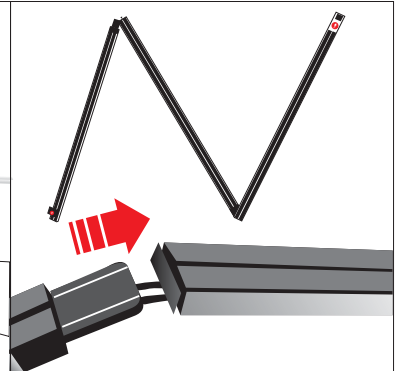
Remove frame from the case and place on table top with the blue hubs facing down and towards you. Grasp the scissors at the top of the hubs next to the red hub and pull up and out in a rapid motion.



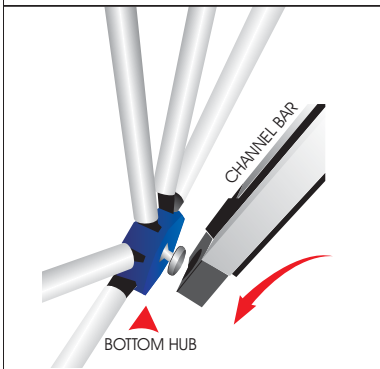
Once the frame is completely expanded, it will remain in the fully opened position.



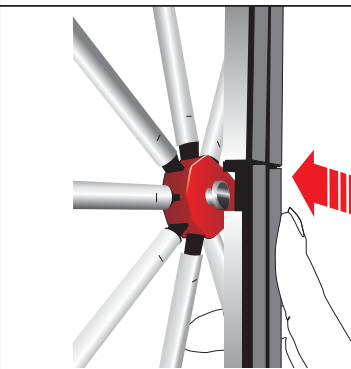
Make sure frame is locked by pressing front and back hubs toward each other.



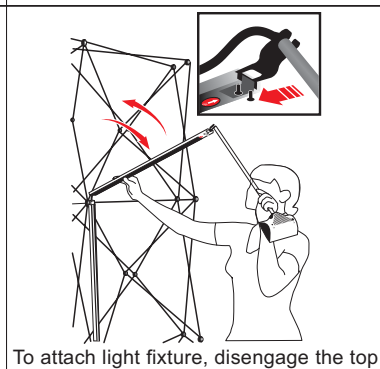
Unfold the two-section bungee channel bars and connect into place.



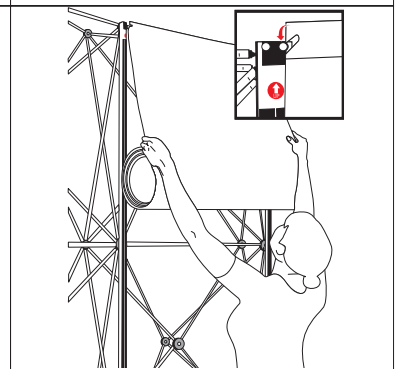
Slide bottom of connected channel bar down onto the blue hub at the bottom of the frame.



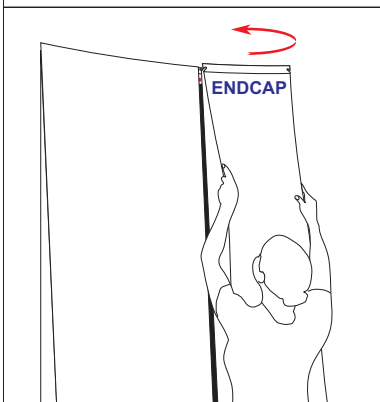
Slide the next section of the channel bar horizontally into the center hub so it locks into place.



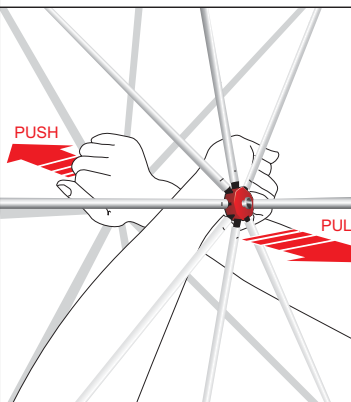
To attach light fixture, disengage the top section of the channel bar and tilt it toward you, slide the base of the light into the top of the channel bar. Reattach channel bar onto the top hub and slide down to meet the bottom section of the channel bar. Drape cord behind frame.



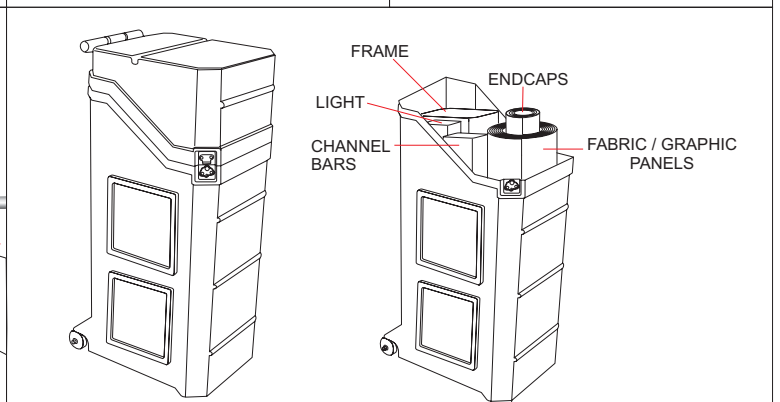
Grasp front panel and attach notches on stiffener over the pegs at the top of the channel bar. Unroll panel allowing it to attach magnetically to the center of the channel bar as it unrolls. Repeat the process for all panels.



Hook the end panel notch in the stiffener over the pegs at the top of the front and back channel bars. Smooth magnetic strips to the center of the channel bars as you go downward.



To collapse the frame, remove the panels, endcaps and channel bars. Push and pull the red hub at the middle of the frame as shown.



Roll up the panels, one at a time, with the fabric or graphic surface facing out. Insert into case. Roll endcap panels last. Insert frame and channel bars into case. Pack lights inside the case. When closing, secure latches on both sides of the case.